

KUBICEK

issues

SERVICE INSTRUCTION no. 2022/04 Tightening the cardan bolts

Cause: Unwanted loosening of universal joint bolts due to improper servicing

With reference to: Ignis and Ignis Plus burners in assembly with burner frames

Action: _____

To ensure that the Ignis and Ignis plus burner units are correctly mounted in the burner frame, it is essential that the tightening and securing of the burner cardan bolts is in accordance with the **Maintenance Manual edition 3 (chap. 5.1.1.4. , chap. 5.1.2.2. and chap. 5.1.2.4.)**

This policy applies to all Ignis and Ignis plus two-unit three-unit and four-unit burners mounted in burner frames using both the gimbal and Gyro gimbal. Cardan joining bolts must be sufficiently tightened and threads secured with Loctite 243.

Fig.1 - example of a two-unit burner with Gyro gimbal

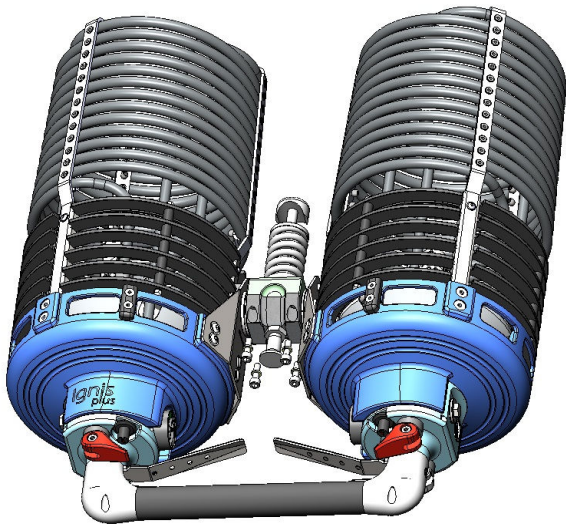
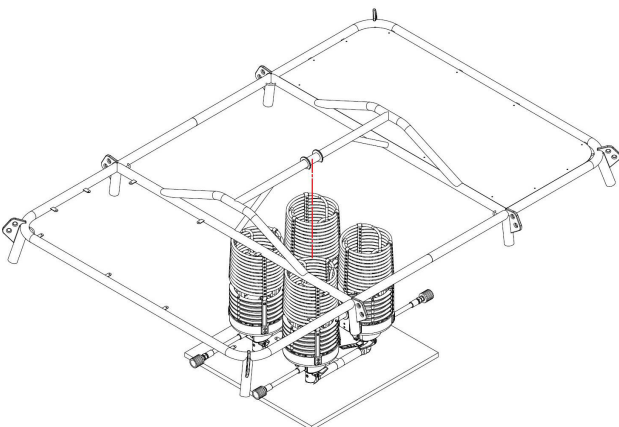


Fig.2 - example of a four-unit burner



Example of assembling the burner into the frame

1. Place the frame on the burner units. The center tube of the frame is located in the gimbal block.

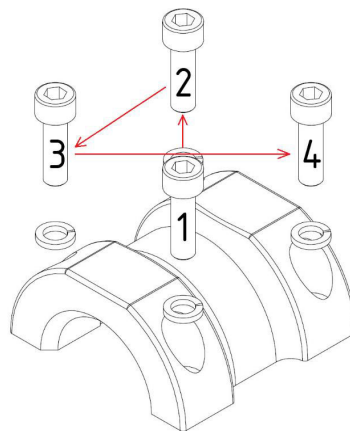


KUBÍČEK

2. Prepare the gimbal cover, place washers and bolts in the holes.



3. Place the gimbal cover in the correct position, apply Loctite 243 thread locking adhesive to the bolts and tighten the bolts to 6 Nm in the correct sequence as shown below.



Caution:

If the screws are not properly tightened and secured, vibration during transport may cause the coupling screws to loosen, fall out and subsequently loosen the burner units from the burner frame.

Technical content of this document is approved under the authority of DOA No. EASA.21J.277.

On behalf of Kubíček Factory s.r.o.

Ing. Petr Kubíček, technical director



Datum: **28.4.2022**